



Series PNZ - Feature

- Closed version
- Both side setting, insulated slider
- Linear or logarithmic resistance law
- Resistance tolerance:
 - ±20% for value R = 1M
 - ±30% for value R > 1M
- On special request doser tolerances are available
- Mechanical endurance 10000 cycles

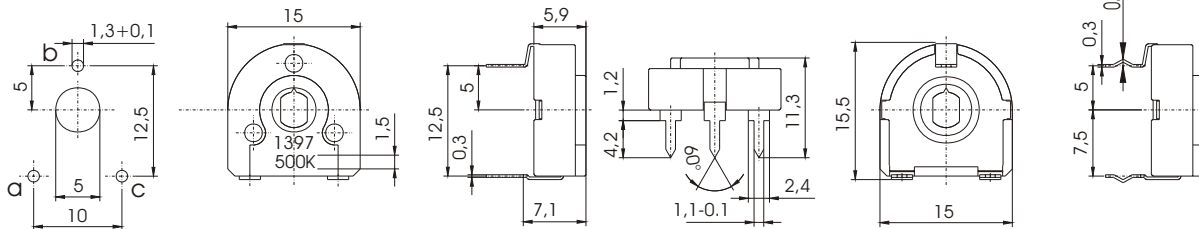
Printed Circuits Types / Ser. PNZ / 15mm

Tehnickal data

Rated dissipation at $\vartheta_{amb} = 40^\circ\text{C}$	lin 0.25W / log 0.12W
Resistance value range	lin 100Ω to 5MΩ / log 2.2KΩ to 2.5MΩ
Maximum voltage	lin 300V dc / log 200V dc
Electric angle of rotation	$250^\circ \pm 20^\circ$
Mechanical angle of rotation	$265^\circ \pm 5^\circ$
Operating torque	4 to 25 mNm
End stop torque	≥ 100 mNm
Weight	1.3 g approx.

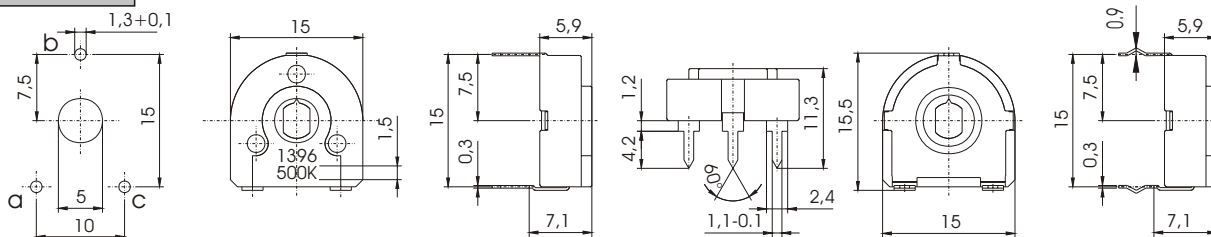
PNZ14D

"snap-in" version



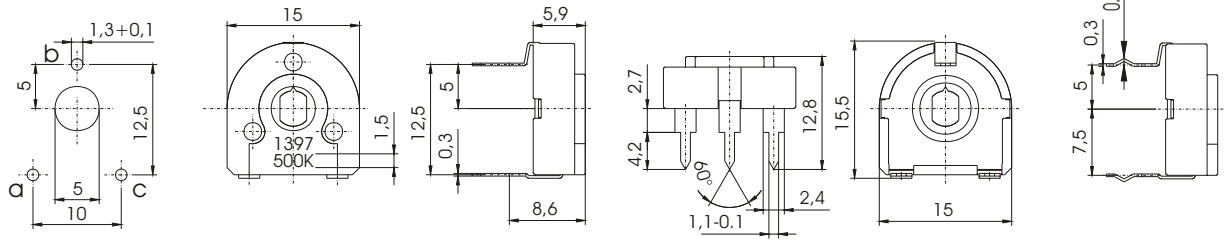
PNZ14DE

"snap-in" version



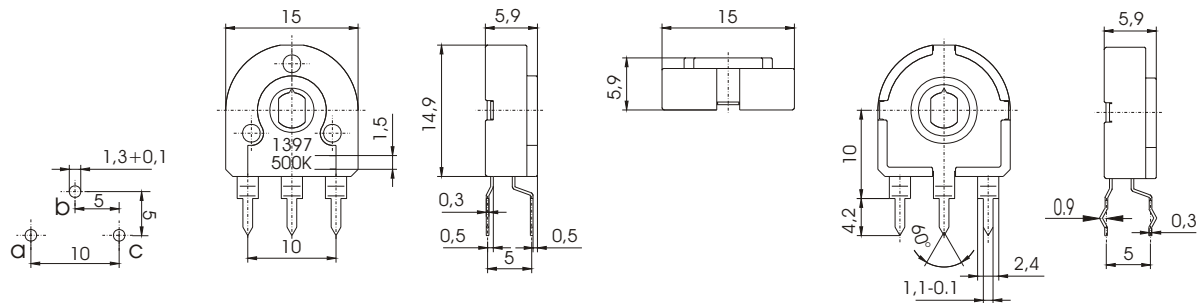


PNZ14DL



"snap-in" version

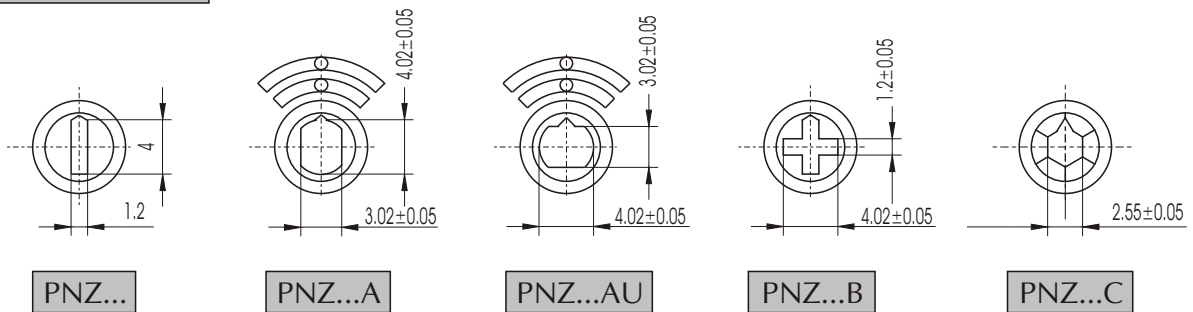
PNZ15E



"snap-in" version

Accessories / Ser. PNZ/ 15 mm

ADJUSTMENT SLOT



Ordering Example / Ser. PNZ / 15 mm

PNZ14D

POT SERIE
PNZ14D
PNZ14DE
PNZ14DL
PNZ15E

A

ADJUSTMENT SLOT

X

'snap in' VERSION

G

VERSION
R= SHAFT
RO=SHAFT ON COLLECTOR SIDE
G=THUMBWHELL

F

VERSION
F= 10000 DOUBLE ROTATIONS

100K

VALUE

2

LAW OF VARIATION
LIN
2 = LOGARIT.
3 = ANTILOG.
4 = SPECIAL



Series PN - Feature

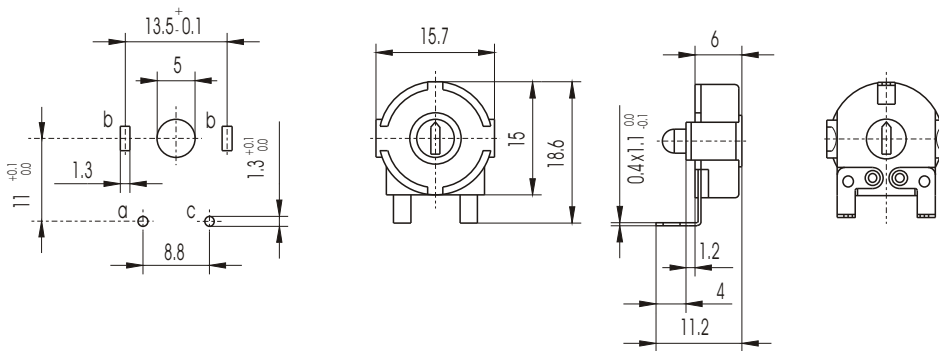
- Closed version
- Both side setting, insulated slider
- Linear or logarithmic resistance law
- Resistance tolerance:
 - ±20% for value R = 1M
 - ±30% for value R > 1M
- On special request doser tolerances are available

Printed Circuits Types / Ser. PN / 15mm

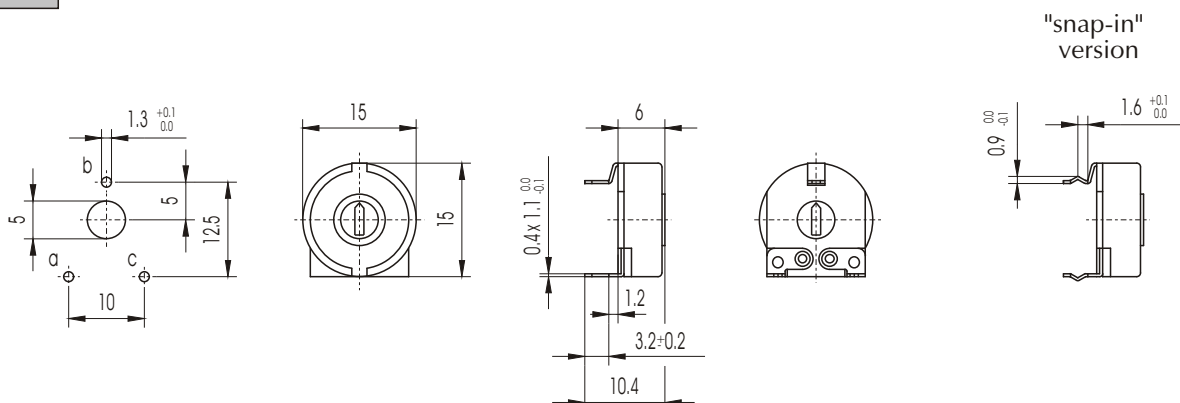
Technical data

Rated dissipation at $\vartheta_{amb} = 40^\circ\text{C}$	lin 0.25W / log 0.12W
Resistance value range	lin 100Ω to 5MΩ / log 2.2KΩ to 2.5MΩ
Maximum voltage	lin 300V dc / log 200V dc
Electric angle of rotation	$240^\circ \pm 20^\circ$
Mechanical angle of rotation	$280^\circ \pm 5^\circ$
Operating torque	4 to 25 mNm
End stop torque	≥ 100 mNm
Weight	1.5 g approx.

PN16Z



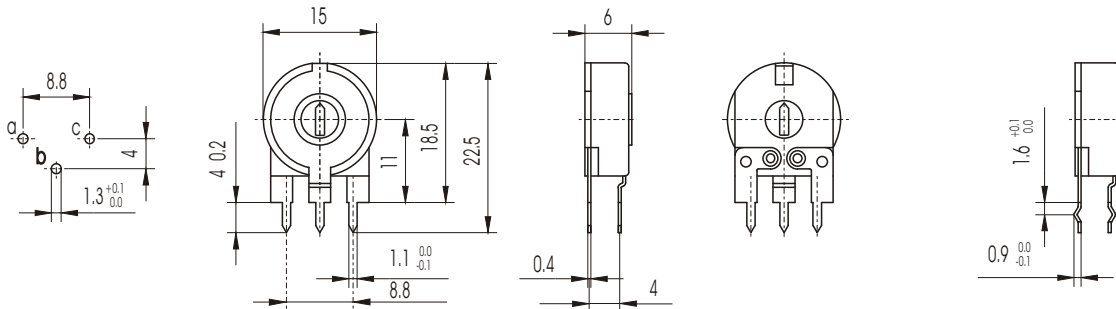
PN18DZ





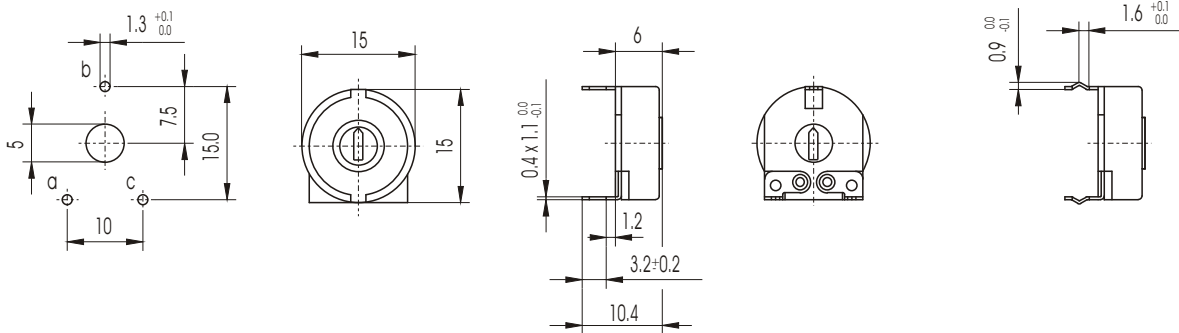
PN17Z

"snap-in"
version



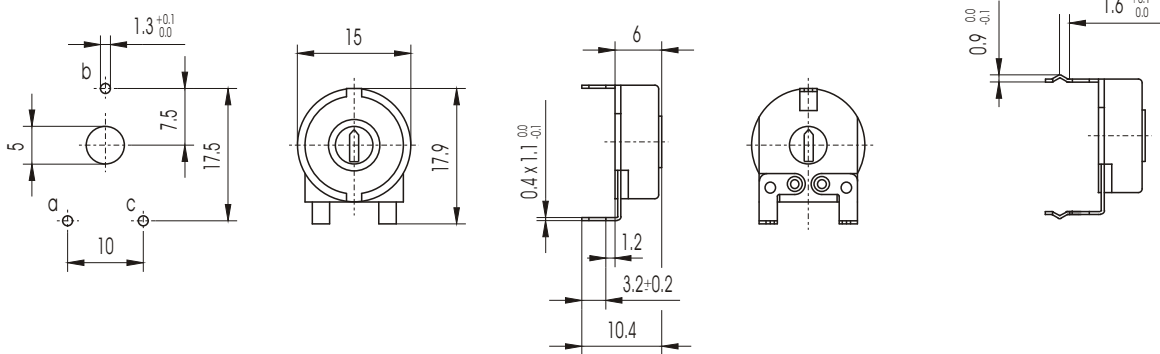
PN18EDZ

"snap-in"
version



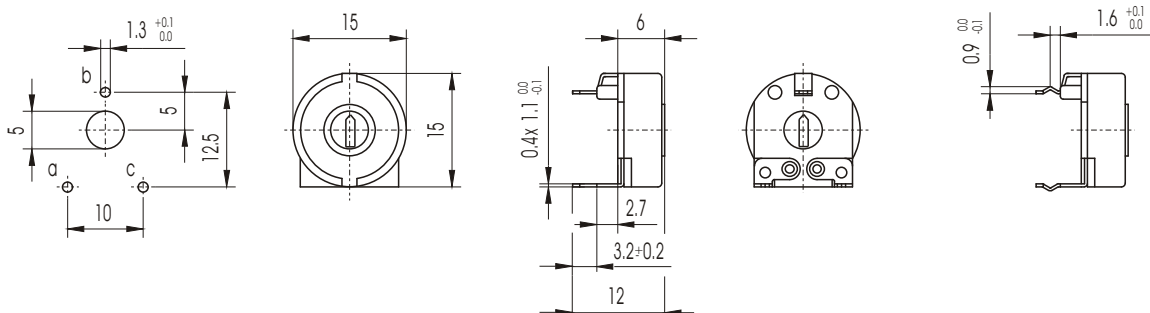
PN18EZ

"snap-in"
version



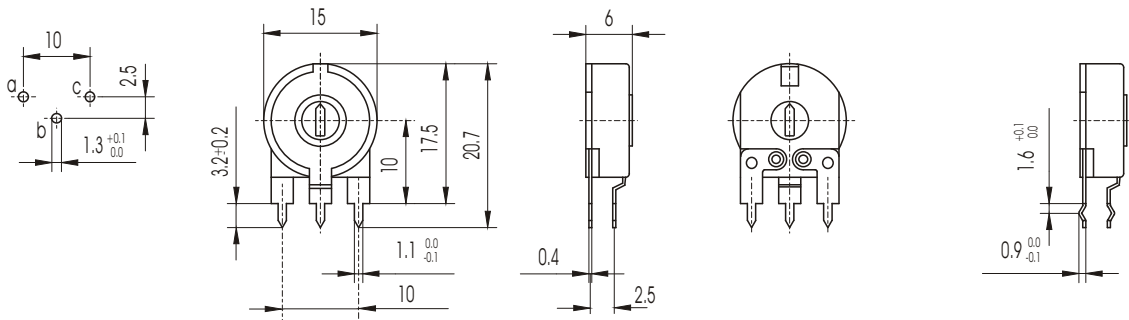
PN18DZLD

"snap-in"
version



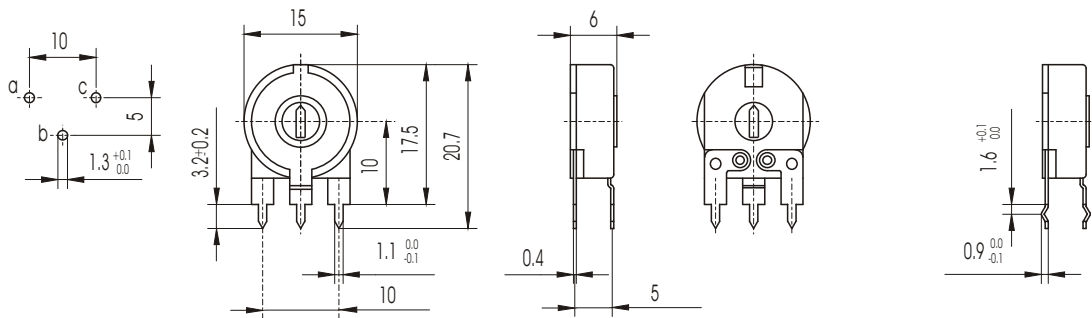


PN19Z



"snap-in" version

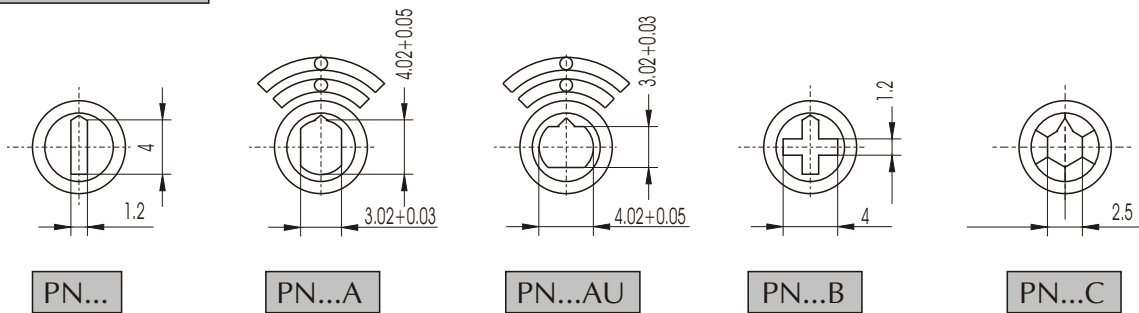
PN19EZ



"snap-in" version

Accessories / Ser. PN / 15 mm

ADJUSTMENT SLOT



PN...

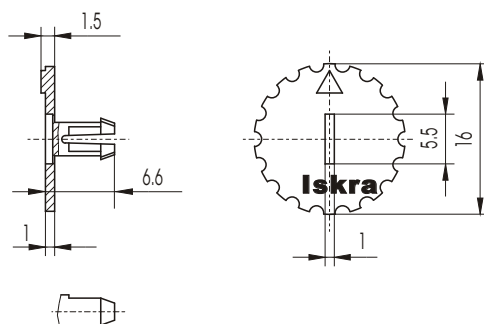
PN...A

PN...AU

PN...B

PN...C

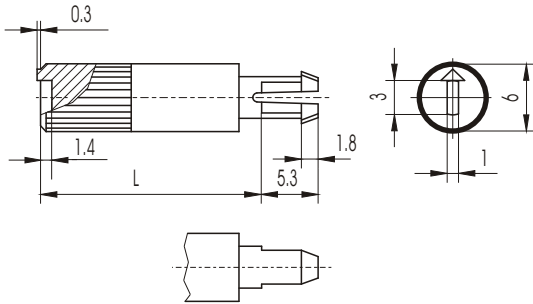
THUMBWHEEL



Thumbwheel Colour	Code
White	88 131 147
Black	88 131 388
Red	88 131 391
Blue	88 131 390
Green	88 131 392
Yellow	88 131 389



SHAFT



SHAFT COLLOR CODES

Colour \ L	13.1	17.5	19.5	24.3	26.3	28.5	34
White	88 131 137	88 131 577	88 131 242	88 131 600	88 131 499	88 131 578	88 131 450
Black	88 131 378	88 131 241	88 131 382	88 131 243	88 131 244	88 131 245	88 131 246
Red	88 131 379	88 131 452	88 131 385	88 131 492	88 131 475	88 131 770	88 131 491
Blue	88 131 381	88 131 752	88 131 386	88 131 581			
Green	88 131 380		88 131 384				
Yellow	88 131 620		88 131 619				

Ordering Example / Ser. PN / 15 mm

PN16

POT SERIE

Z

CLOSED VERSION

A

ADJUSTMENT SLOT

G

VERSION

R= SHAFT

RO=SHAFT ON COLLECTOR SIDE

G=THUMBWHELL

X

'snap in' VERSION

F

VERSION

F= 10000 DOUBLE ROTATIONS

100K

VALUE

2

LAW OF VARIATION

LIN

2 = LOG.

3 = ANTILOG.

4 = SPECIAL

PN17

POT SERIE

PN17

PN19

PN19E

Z

CLOSED VERSION

A

ADJUSTMENT SLOT

G

VERSION

R= SHAFT

RO=SHAFT ON COLLECTOR SIDE

G=THUMBWHELL

GO=THUMBWHELL ON COLLECTOR SIDE

X

'snap in' VERSION

F

VERSION

F= 10000 DOUBLE ROTATIONS

100K

VALUE

2

LAW OF VARIATION

LIN

2 = LOG.

3 = ANTILOG.

4 = SPECIAL

PN18D

POT SERIE

PN18D

PN18E

PN18ED

Z

CLOSED VERSION

A

ADJUSTMENT SLOT

L

LONGER TERMINAL

X

'snap in' VERSION

G

VERSION

R= SHAFT

RO=SHAFT ON COLLECTOR SIDE

G=THUMBWHELL

D

DISTANCE ELEMENT ON THE HOUSING

F

VERSION

F= 10000 DOUBLE ROTATIONS

W

VALUE

VERSION

W= WATER PROOF

100K

2

LAW OF VARIATION

LIN

2 = LOGARIT.

3 = ANTILOG.

4 = SPECIAL